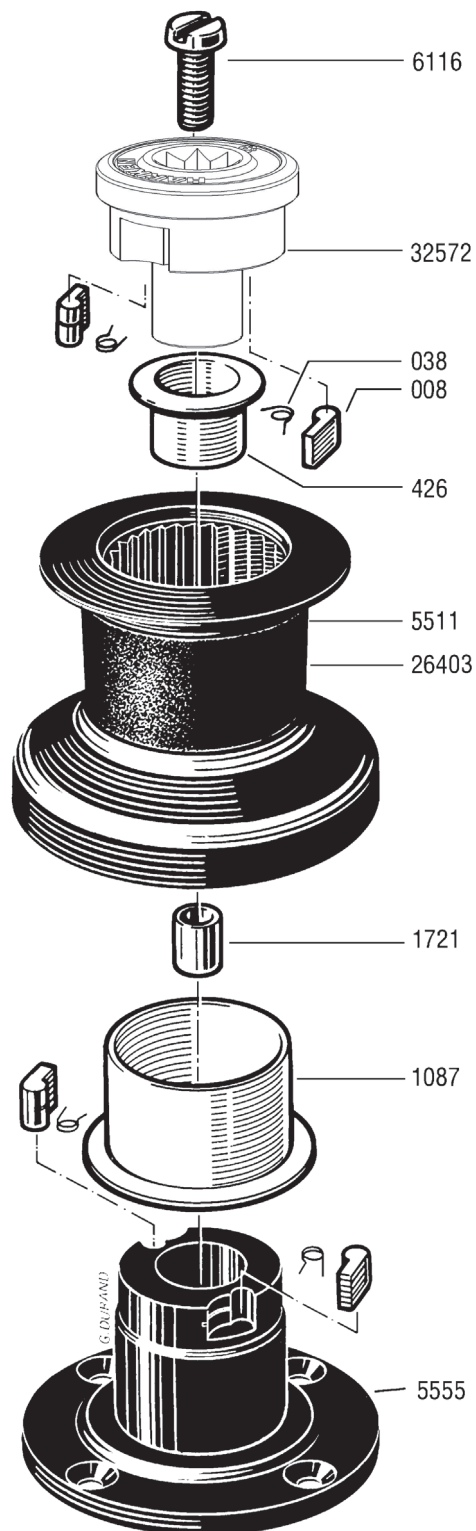


Winch Parts
Installation
Service**HARKEN®**■ **Required Tools**

Screwdriver
Small Knife
Brush
Rags
Solvent
Oil
Grease

■ **Parts List**

008	Pawl
038	Pawl Spring
426	Ratchet Head Bushing
1087	Bearing
1721	Stainless Steel Bushing
5511	Aluminum Drum
5555	Center Stem
6116	Top Screw
26403	Bronze Drum
32572	Ratchet Head

■ **Suggested Service Kits**

BK4512	10	008 Pawls
	10	038 Springs
BK4513		100 ml Grease

When ordering parts, please include a "B" before each number (i.e. B008).

Service winch before the sailing season begins and once during.

■ Installing Winch

- Make sure mounting surface is flat
- Check sheet entry angle. Should be at least 8° (see drawing)
- Open winch
- Position winch on deck and mark holes
- Remove winch and drill holes
- Mount using four (4) 5/16" (8 mm) flathead machine screws
- Apply bedding compound and bolt winch to boat
- Clean excess bedding compound from base drain holes
- Lubricate and close winch

■ Opening Winch

- Remove top screw
- Lift off drum

■ Servicing Winch

- Remove pawls and springs – service as below
- Clean all parts with rags and solvent
- Lubricate bearing lightly with oil
- Grease teeth on center stem and ratchet head
- Replace pawls and springs and lubricate lightly with oil
- Reassemble and close winch

■ Servicing Pawls

- Catch spring with knife and hold against pawl
- Lift out pawls
- Clean and check for wear
- Lubricate pawls using oil
- Place spring against pawl with straight leg against pawl
- Hold spring closed and slip pawl into pawl socket

Opening Winch



Use screwdriver to open winch.

Servicing Winch

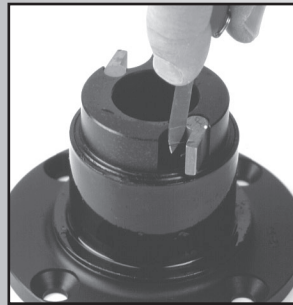


Clean all parts with solvent.

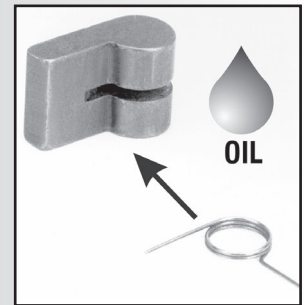


Grease gear teeth lightly.

Servicing Pawls

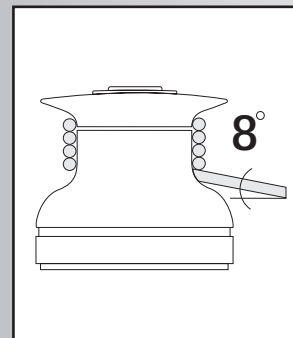


Use knife to free captive spring.



Insert spring with straight leg against pawl. Use oil for lubrication.

Fitting on Boat



Sheet angle entry must be at least 8°.

4461/1-00

HARKEN

USA: 1251 E. Wisconsin Ave., Pewaukee, WI 53072 USA • Tel: (262) 691-3320 • Fax: (262) 691-3008 • Web: harken.com • E-mail: harken@harken.com
ITALY: Via Della Cerca, 12/14, 22070 Lurago Marinone, Como, Italy • Fax: (39) 031.3520031 • Tel: (39) 031.3523511 • Web: harken.it • E-mail: info@harken.it

